

## Kalida-Kote™ In-House Painting Available For Custom Color Matching, Fast!



### In-Stock Colors #42 - #43 - #44 Call for Sizes

- |                |               |
|----------------|---------------|
| Aged Copper    | Matte Black   |
| Almond         | Medium Bronze |
| Ash Gray       | Musket Gray   |
| Aztec Gold     | Pacific Blue  |
| Banner Red     | Polar White   |
| Bone White     | Red Clay      |
| Burnish Slate  | Roman Bronze  |
| Cape Clue      | Royal Blue    |
| Charcoal Gray  | Rustic Red    |
| Cherokee Blue  | Sage          |
| Classic Green  | Sahara Tan    |
| Cocoa Brown    | Sierra Tan    |
| Colonial Red   | Seaport       |
| Colony Green   | Slate Blue    |
| Copper Penny   | Slate Gray    |
| Cordovan       | Snow White    |
| Country Red    | Snowdrift     |
| Dark Bronze    | White         |
| Desert Sand    | Stone White   |
| Emerald Green  | Teal Green    |
| Fern Green     | Terra Cotta   |
| Hartford Green | Winter Blue   |
| Hawaiian Blue  |               |
| Light Stone    |               |
| Mansard        |               |
| Brown          |               |

Buttonhead Material	D Rivet Dia.	Drill No. & Hole Size	H Head Dia. Nom.	E Head Height Max.	L Rivet Length Max.	Grip Range	Typical Ultimate Strength (Lbs.) (newtons)	
	Inch (mm)	(mm)	Inch (mm)	Inch (mm)	Inch (mm)	Inch (mm)	Shear	Tensile
<b>Plated-Steel Rivet Steel Mandrel Open End</b>	1/8" (.125) 3.2	#30 (.129-.133) 3.3 (3.28-3.38)	.250 6.35	.040 1.02	.212 (5.4)	.032-.062 (0.8-1.6)	280	410
					.275 (7.0)	.063-.125 (1.7-3.2)		
	3/16" (.187) 4.8	#11 (.192-.196) 4.9 (4.88-4.98)	.375 9.53	.055 9.53	.325 (8.3)	.062-.125 (1.6-3.2)	600	870
					.450 (11.5)	.126-.250 (3.3-6.4)		
<b>5056 Aluminum Rivet Steel Mandrel Open End</b>	1/8" (.125) 3.2	#30 (.129-.133) 3.3 (3.28-3.38)	.250 6.35	.040 1.02	.212 (5.4)	.032-.062 (0.8-1.6)	180	270
					.275 (7.0)	.063-.125 (1.7-3.2)		
	3/16" (.187) 4.8	#11 (.192-.196) 4.9 (4.88-4.98)	.375 9.53	.055 1.40	.325 (8.3)	.062-.125 (1.6-3.2)	440	700
					.450 (11.5)	.126-.250 (3.3-6.4)		
<b>Aluminum Rivet Aluminum Mandrel Open End</b>	1/8" (.125) 3.2	#30 (.129-.133) 3.3 (3.28-3.38)	.250 6.35	.040 1.02	.212 (5.4)	.032-.062 (0.8-1.6)	150	180
					.275 (7.0)	.063-.125 (1.7-3.2)		
	3/16" (.187) 4.8	#11 (.192-.196) 4.9 (4.88-4.98)	.375 9.53	.055 1.40	.325 (8.3)	.062-.125 (1.6-3.2)	280	430
					.450 (11.5)	.126-.250 (3.3-6.4)		
<b>Stainless Rivet Stainless Steel Mandrel IFI Grade 50 Open End</b>	1/8" (.125) 3.2	#30 (.129-.133) 3.3 (3.28-3.38)	.250 6.35	.040 1.02	.212 (5.4)	.032-.062 (0.8-1.6)	520	600
					.275 (7.0)	.063-.125 (1.7-3.2)		
	3/16" (.187) 4.8	#11 (.192-.196) 4.9 (4.88-4.98)	.375 9.53	.055 1.40	.325 (8.3)	.062-.125 (1.6-3.2)	1150	1300
					.450 (11.5)	.126-.250 (3.3-6.4)		
<b>#110 Copper Rivet Brass Mandrel IFI Grade 20 Open End</b>	1/8" (.125) 3.2	#30 (.129-.133) 3.3 (3.28-3.38)	.125 6.35	.040 1.02	.275 (7.0)	.063-.125 (1.7-3.2)	215	300
					.400 (10.2)	.188-.250 (4.9-6.4)		
<b>#5056 Aluminum Rivet Steel Mandrel Closed End</b>	1/8" (.125) 3.2	#30 (.129-.133)	.236	.035	.296 (7.52)	.032-.062 (0.8-1.6)	240	280
					.355 (9.02)	.063-.125 (1.7-3.2)		
					.414 (10.52)	.126-.187 (3.3-4.8)	1060	1240
					.473 (11.10)	.188-.250 (4.9-6.4)		
					.532 (13.51)	.251-.312 (6.5-7.9)		
					.591 (15.06)	.313-.375 (8.0-9.5)		



*We've developed and easy to use color chart to help find the perfectly color matched rivet!*

*Select your specific panel color or manufacturer and find the appropriate rivet!*

Color	Manufacturer Name	TFC Rivet Color	Rivet Part No.
<b>Aged Bronze</b>	Berridge	Roman Bronze	FBF44RBZ FBF43MBZ
<b>Aged Copper</b>	Ryerson (INTEGRIS)	Aged Copper	FBF44ACP
	Peterson / Pac-Clad		
	American Buildings Co.		
	Centria		
	Vic West		
<b>Almond</b>	Copper Sales / Firestone Metal Product / Una-Clad	Almond	FBF44AL FBF43AL
	Ryerson (INTEGRIS)		
	MBCI		
	Peterson / Pac-Clad		
	Valspar		
<b>Architectural Red</b>	McElroy Metals	Rustic Red / Red Clay	FBF43RRD FBF44RDCL
<b>Arctic White</b>	VP Buildings	Polar White / Stone White	FBF43PWH FBF44SWH
<b>Ash Gray</b>	Fabral U S A Vic West	Ash Gray	FBF43AGY
<b>Aztec Gold</b>	U S A	Aztec Gold	FBF43AGD
<b>Banner Red</b>	Ryerson (INTEGRIS)	Crimson Red / Banner Red	FBF43CRD FBF44BRD
<b>Blue</b>	Fabral	Hawaiian Blue / Slate Blue	FBF43HBL FBF44SLBL
	McElroy Metals		
	Metal Era		
	Vic West		
<b>Bone White</b>	Alcoa	Bone White	FBF44BNWH
	Atas		
	Berridge		
	Centria		
	Copper Sales / Firestone Metal Product / Una-Clad		
	Englert		
	Peterson / Pac-Clad		
	Ryerson (INTEGRIS)		
<b>Boysenberry</b>	AEP Span	Cordovan	FBF44CD
	Atas		
	VP Buildings		
<b>Brandywine</b>	Copper Sales / Firestone Metal Product / Una-Clad	Cordovan	FBF44CD
	McElroy Metals		
	Metal Era		
<b>Brick Red</b>	AEP Span	Rustic Red / Red Clay	FBF43RRD FBF44RDCL
	Metal Sales		
	VP Buildings		
<b>Bright Red</b>	AEP Span	Crimson Red / Banner Red	FBF43CRD FBF44BRD
<b>Bristol Blue</b>	Berridge	Hawaiian Blue / Slate Blue	FBF43HBL FBF44SLBL
<b>Brite Red</b>	American Buildings Co.	Crimson Red / Banner Red	FBF43CRD FBF44BRD
	Atas		
	DMI (Dimensional Metals)		
	Fabral		
	McElroy Metals		
<b>Brite White</b>	McElroy Metals	Polar White	FBF43PWH
	<b>Brown</b>	Fabral	Koko Brown
Vic West		Mansard Brown	FBF44MBRN
Centria			
DMI (Dimensional Metals)			
<b>Buckskin Tan</b>	Kirby / Gulf States	Light Stone	FBF43LST
<b>Burgundy</b>	ABC	Cordovan	FBF44CD
	Berridge		
	Butler		
	Centria		
	Clad-Text		
	Consolidated Metals		
	DMI (Dimensional Metals)		
	Englert		
	Metal Sales		
	Peterson / Pac-Clad		
	Vic West		



Color	Manufacturer Name	TFC Rivet Color	Rivet Part No.
<b>Burnished Slate</b>	ABC	Burnished Slate	FBF43BSL
	American Buildings Co.		
	Fabral		
	MBCI		
	Metal Sales		
	Nucor		
	Spirco		
U S A			
<b>Burnt Umber</b>	Gulf States	Rustic Red / Red Clay	FBF43RRD FBF44RDCL
	Kirby		
<b>Cape Blue</b>	Ryerson (INTEGRIS)	Cape Blue	FBF44CPBL
<b>Cardinal Red</b>	Peterson / Pac-Clad	Crimson Red / Banner Red	FBF43CRD FBF44BRD
<b>Charcoal / Charcoal Gray</b>	ABC	Charcoal Gray	FBF43CGY FBF44CHGY
	American Buildings Co.		
	Berridge		
	Englert		
	Fabral		
	Firestone / Una-Clad		
	MBCI		
	McElroy Metals		
	Metal Era		
	Metal Sales		
	Nucor		
	Peterson / Pac-Clad		
	Ryerson (INTEGRIS)		
	Spirco		
	Union Corrugating		
U S A			
Vic West			
<b>Cherokee Blue</b>	Ryerson (INTEGRIS)	Cherokee Blue	FBF44CHBL
<b>Colonial Red</b>	AEP Span	Colonial Red	FBF44CRD
	Alcoa		
	Berridge		
	Centria		
	Clad-Text		
	CMF (Consolidated Metals)		
	Copper Sales / Firestone Metal Product / Una-Clad		
	DMI (Dimensional Metals)		
	Englert		
	Gulf States		
	Kirby		
	Liberty		
	MBCI		
	McElroy Metals		
	Metal Era		
	Peterson / Pac-Clad		
	Reynolds		
Ryerson (INTEGRIS)			
U S A			
<b>Colony Green</b>	U S A	Colony Green	FBF43COGR
<b>Copper Brown</b>	Berridge	Mansard Brown	FBF44MBRN
<b>Copper Cote</b>	Berridge	Copper Penny	FBF44CPNY
<b>Copper Penny</b>	AEP Span	Metallic Copper	FBF43MCP FBF44MCP
	McElroy Metals		
	Peterson / Pac-Clad		
	VP Buildings		
	Ryerson (INTEGRIS)		
<b>Cordovan</b>	Ryerson (INTEGRIS)	Cordovan	FBF44CD
<b>Country Red</b>	U S A	Rustic Red / Red Clay	FBF43RRD FBF44RDCL
<b>Crimson Red</b>	ABC	Crimson Red / Banner Red	FBF43CRD FBF44BRD
	Fabral		
	Spirco		
	Vic West		
<b>Dark Blue</b>	AEP Span	Dark Blue	FBF44DBL
<b>Dark Bronze</b>	AEP Span	Dark Bronze	FBF43DBZ FBF44DBZ
	Alcoa		
	Berridge		
	Centria		
	Clad-Text		
	CMF (Consolidated Metals)		
	Copper Sales / Firestone Metal Product / Una-Clad		
	DMI (Dimensional Metals)		
	Englert		
	Gulf States		
	McElroy Metals		
	Metal Era		
	Metal Sales		
	Peterson / Pac-Clad		
	Ryerson (INTEGRIS)		
<b>Deep Red</b>	Berridge	Crimson Red / Banner Red	FBF43CRD FBF44BRD
	Englert		

Select your specific panel color or manufacturer and find the appropriate rivet!

Color	Manufacturer Name	TFC Rivet Color	Rivet Part No.
<b>Denim Blue</b>	Gulf States	Gallery Blue	FBF43GBL
	Kirby		
<b>Desert Sand</b>	ABC	Desert Sand	FBF43DS
	Spirco		
	U S A		
<b>Desert Tan</b>	VP Buildings	Desert Sand	FBF43DS
<b>Diamond White</b>	Gulf States	Polar White	FBF43PWH
	Kirby		
<b>Egyptian White</b>	VP Buildings	Light Stone	FBF43LST
<b>Evergreen</b>	ABC	Classic Green	FBF43CGR FBF44CGR
	Alcoa		
	American Buildings Co.		
	Centria		
	CMF (Consolidated Metals)		
	McElroy Metals		
	Union Corrugating		
<b>Extra Dark Bronze</b>	Copper Sales / Firestone Metal Product / Una-Clad	Dark Bronze	FBF44DBZ
<b>Felt Green</b>	AEP Span	Fern Green / Hartford Green	FBF43FGR FBF44HGR
<b>Fern Green</b>	MBCI	Fern Green / Hartford Green	FBF43FGR FBF44HGR
<b>Fieldstone Bronze</b>	Gulf States	Burnished Slate	FBF43BSL
	Kirby		
<b>Forest Green</b>	AEP Span	Fern Green / Hartford Green	FBF43FGR FBF44HGR
	Atas		
	Metal Sales		
	Berridge		
	Englert		
Petersen / Pac-Clad	Classic Green	FBF43CGR FBF44CGR	
<b>Goldenrod</b>	Metal Sales	Aztec Gold	FBF43AGD
<b>Gulfstream Blue</b>	Gulf States	Hawaiian Blue / Slate Blue	FBF43HBL FBF44SLBL
	Kirby		
<b>Harbor Blue</b>	MBCI	Harbor Blue	FBF43HRBL
<b>Hartford Green</b>	Atas	Fern Green / Hartford Green	FBF43FGR FBF44HGR
	Berridge		
	Centria		
	Clad-TEX		
	Copper Sales / Firestone Metal Product / UnaClad		
	DMI (Dimensional Metals)		
	Englert		
	McElroy Metal		
	Metal Era		
	Petersen / Pac-Clad		
	Ryerson (INTEGRIS)		
<b>Hawaiian Blue</b>	MBCI	Hawaiian Blue / Slate Blue	FBF43HBL FBF44SLBL
	Metal Sales		
	U S A		
<b>Hemlock Green</b>	AEP Span	Hemlock Green	FBF44HMGR
	American Buildings Co.		
	Atas		
	Berridge		
	Consolidated Metals		
	Copper Sales / Firestone Metal Product / Una-Clad		
	Englert		
	Gulf States		
	Metal Era		
	Petersen / Pac-Clad		
Vic West			
<b>Hunter Green</b>	MBCI	Fern Green / Hartford Green	FBF43FGR FBF44HGR
<b>Interstate Blue</b>	Petersen / Pac-Clad	Royal Blue	FBF44RBL
<b>Jade Green</b>	AEP Span	Teal	FBF44T
<b>Kelly Green</b>	Fabral	Classic Green	FBF43CGR FBF44CGR
	Vic West		
<b>Koko Brown</b>	ABC	Koko Brown	FBF43KBRN
	Metal Sales		
	MBCI		
	Spirco		
<b>Leaf Green</b>	AEP Span	Classic Green	FBF43CGR FBF44CGR
	Butler		
	VP Buildings		
<b>Light Stone</b>	ABC	Light Stone	FBF43LST
	American Buildings Co.		
	Fabral		
	Gulf States		
	MBCI		
	McElroy Metals		
	Metal Sales		
	Nucor		
	U S A		
	Vic West		



Color	Manufacturer Name	TFC Rivet Color	Rivet Part No.
<b>Mansard Brown</b>	Clad-TEX	Mansard Brown	FBF44MBRN
	Copper Sales / Firestone Metal Product / Una-Clad		
	Englert		
	McElroy Metal		
	Metal Era		
	Petersen / Pac-Clad		
Reynolds	Ryerson (INTEGRIS)		
<b>Matte Black</b>	AEP Span	Matte Black	FBF44MBLK
	Alcoa		
	Berridge		
	Butler / Liberty		
	Clad-TEX		
	Consolidated Metals		
	Copper Sales / Firestone Metal Product / Una-Clad		
	DMI (Dimensional Metals)		
	Englert		
	McElroy Metals		
	Metal Era		
	Petersen / Pac-Clad		
	Ryerson (INTEGRIS)		
<b>Medium Blue</b>	AEP Span	Gallery Blue / Royal Blue	FBF43GBL FBF44RBL
	VP Buildings		
<b>Medium Bronze</b>	AEP Span	Medium Bronze / Roman Bronze	FBF43MBZ FBF44RBZ
	Alcoa		
	Atas		
	Berridge		
	Clad-TEX		
	Copper Sales / Firestone Metal Product / Una-Clad		
	Englert		
	MBCI		
	McElroy Metals		
	Metal Era		
Petersen / Pac-Clad			
<b>Military Blue</b>	Petersen / Pac-Clad	Hawaiian Blue / Slate Blue	FBF43HBL FBF44SLBL
<b>Mocha Tan</b>	Metal Sales	Sahara Tan	FBF43STN
<b>Musket Gray</b>	Petersen / Pac-Clad	Musket Gray	FBF44MGY
	Ryerson (INTEGRIS)		
<b>Ocean Blue</b>	Metal Sales	Harbor Blue	FBF43HRBL
<b>Oyster White</b>	Nucor	Polar White	FBF43PWH FBF43AL FBF44AL
	Reynolds		
<b>Pacific Blue</b>	Clad-TEX	Pacific Blue	FBF44PBL
	Englert		
	MBCI		
	Ryerson (INTEGRIS)		
<b>Parchment</b>	AEP Span	Sandstone	FBF44SST
	Berridge		
<b>Patina Green</b>	AEP Span	Aged Copper	FBF44ACP FBF44ACP
	Berridge		
	Alcoa		
	Atas		
	Clad-TEX		
	Consolidated Metals		
	Copper Sales / Firestone / Una-Clad		
	McElroy Metals		
	Metal Era		
	Metal Sales		
Reynolds	Colonies Green	FBF43COGR	
<b>Patrician Bronze</b>	McElroy Metals	Burnished Slate	FBF43BSL
	VP Buildings		
<b>Patriot Red</b>	Metal Sales	Crimson Red / Banner Red	FBF43CRD FBF44BRD
<b>Polar White</b>	ABC	Polar White	FBF43PWH
	Butler / Liberty		
	Fabral		
	MBCI		
	Metal Sales		
	U S A		
Vic West			
<b>Red</b>	Fabral	Rustic Red / Red Clay	FBF43RRD FBF44RDCL
	Vic West		
<b>Red Clay</b>	Ryerson (INTEGRIS)	Red Clay / Rustic Red	FBF43RRD FBF44RDCL
<b>Redwood</b>	AEP Span	Terra Cotta	FBF44TC
	Metal Sales		
<b>Reflective White</b>	American Buildings Co.	Polar White	FBF43PWH
	Fabral		
	Gulf States		
	Kirby		

Select your specific panel color or manufacturer and find the appropriate rivet!

Color	Manufacturer Name	TFC Rivet Color	Rivet Part No.
<b>Regal Blue</b>	Alcoa	Gallery Blue / Royal Blue	FBF43GBL FBF44RBL
	American Buildings Co.		
	Atas		
	Butler / Liberty		
	Consolidated Metals		
	Copper Sales / Firestone Metal Product / Una-Clad		
	Fabral		
	Gulf States		
<b>Regal Red</b>	Alcoa	Crimson Red / Banner Red	FBF43CRD FBF44BRD
	Consolidated Metals		
	Copper Sales / Firestone Metal Product / Una-Clad Metal Era		
<b>Regal White</b>	ABC	Polar White	FBF43PWH
	Alcoa		
	McElroy Metals		
	AEP Span	Snow White /Snowdrift White	FBF43SWH FBF44SDWH
	Butler / Liberty		
	Centria		
	Consolidated Metals		
Gulf States			
VP Buildings			
<b>Roman Blue</b>	McElroy Metals	Hawaiian Blue / Slate Blue	FBF43HBL FBF44SLBL
	Nucor		
<b>Roman Bronze</b>	Ryerson (INTEGRIS)	Medium Bronze / Roman Bronze	FBF43MBZ FBF44RBZ
<b>Royal Blue</b>	Berridge	Gallery Blue / Royal Blue	FBF43GBL FBF44RBL
	Integris		
<b>Rustic Red</b>	ABC	Rustic Red / Red Clay	FBF43RRD FBF44RDCL
	Gulf States		
	Kirby		
	MBCI		
<b>Sage</b>	Integris	Sage	FBF44SGE
<b>Sagebrush</b>	Nucor	Sahara Tan	FBF43STN
<b>Sahara Tan</b>	U S A	Sahara Tan	FBF43STN
	Union Corrugating		
<b>Sand Tan</b>	Fabral	Aztec Gold	FBF43AGD
	Vic West		
<b>Sandstone</b>	ABC	Sandstone	FBF44SST
	Alcoa		
	Atas		
	Centria		
	Clad-Tex		
	Consolidated Metals		
	Copper Sales / Firestone Metal Product / Una-Clad		
	DMI (Dimensional Metals)		
	Englert		
	McElroy Metals		
	Metal Era		
Petersen / Pac-Clad			
<b>Scarlet Red</b>	MBCI	Crimson Red / Banner Red	FBF43CRD FBF44BRD
<b>Seaport</b>	Ryerson (INTEGRIS)	Seaport	FBF44SP
<b>Shasta White</b>	Berridge	Stone White	FBF44SWH
<b>Sherwood Green</b>	Copper Sales / Firestone Metal Product / Una-Clad	Fern Green / Hartford Green	FBF43FGR FBF44HGR
<b>Sierra Gold</b>	McElroy Metals	Aztec Gold	FBF43AGD
	Nucor		
<b>Sierra Tan</b>	Atas	Sierra Tan	FBF44STN
	Berridge		
	Clad-Tex		
	Consolidated Metals		
	Copper Sales / Firestone Metal Product / Una-Clad		
	Englert		
	Metal Era		
	Petersen / Pac-Clad		
Ryerson (INTEGRIS)			
<b>Sky Blue</b>	Alcoa	Hawaiian Blue / Slate Blue	FBF43HBL FBF44SLBL
	Copper Sales / Firestone Metal Product / Una-Clad		
	Metal Era		
<b>Smokey Blue</b>	AEP Span	Hawaiian Blue / Slate Blue	FBF43HBL FBF44SLBL
	VP Buildings		



Color	Manufacturer Name	TFC Rivet Color	Rivet Part No.
<b>Slate Gray</b>	Alcoa	Slate Gray	FBF43SGY FBF44SGY
	American Buildings Co.		
	Atas		
	Centria		
	Consolidated Metals		
	Copper Sales / Una-Clad / Firestone		
	DMI (Dimensional Metals)		
	Englert		
	Fabral / VicWest		
	Gulf States		
	Integris / Ryerson		
	Kirby		
	MBCI		
	McElroy		
Petersen / Pac-Clad			
Reynolds			
<b>Snow White</b>	Butler	Snow White Snowdrift White	FBF43SWH FBF44SDWH
	MBCI		
<b>Snowdrift White</b>	Integris / Ryerson	Snow White Snowdrift White	FBF43SWH FBF44SDWH
<b>Stone White</b>	Alcoa	Stone White	FBF44SWH
	Clad-Tex		
	Consolidated Metals		
	Copper Sales / Una-Clad / Firestone		
	Englert		
	Integris / Ryerson		
	Metal Era		
	Petersen / Pac-Clad		
Reynolds			
Valspar			
<b>Teal</b>	Alcoa	Teal	FBF44T
	American Buildings Co.		
	Atas		
	Berridge		
	Centria		
	Clad-Tex		
	Consolidated Metals		
	Copper Sales / Una-Clad / Firestone		
	Englert		
	Integris / Ryerson		
	Metal Era		
Petersen / Pac-Clad			
Vic West			
<b>Terra Cotta</b>	AEP Span	Terra Cotta	FBF43TC FBF44TC
	Alcoa		
	American Buildings Co.		
	Berridge		
	Clad-Tex		
	Consolidated Metals		
	Copper Sales / Una-Clad / Firestone		
	DMI (Dimensional Metals)		
	Gulf States		
	Integris / Ryerson		
	Metal Era		
Metal Sales			
Petersen / Pac-Clad			
Reynolds			
Vic West			
VP Buildings			
<b>Winter Blue</b>	Integris / Ryerson	Winter Blue	FBF44WBL
<b>Zinc Gray</b>	AEP Span	Zinc Gray	FBF44ZGY
	Berridge		
	Metal Sales		

**Drill Bits**



Use the correct drill bit to assure proper rivet performance.

Rivet Diameter	Drill Bit Size
1/8"	#30
3/16"	#11

**Technical Information**

Diameter	Body	Mandrel	Shear	Tensile
1/8"	Steel	Steel	280	410
1/8"	Aluminum	Steel	180	270
1/8"	Aluminum	Aluminum	150	180
1/8"	Stainless	Stainless	520	600
1/8"	Copper	Brass	215	300
1/8"	Aluminum	Steel	240	280
3/16"	Steel	Steel	600	870
3/16"	Aluminum	Steel	440	700
3/16"	Aluminum	Aluminum	280	430
3/16"	Stainless	Steel	1150	1300

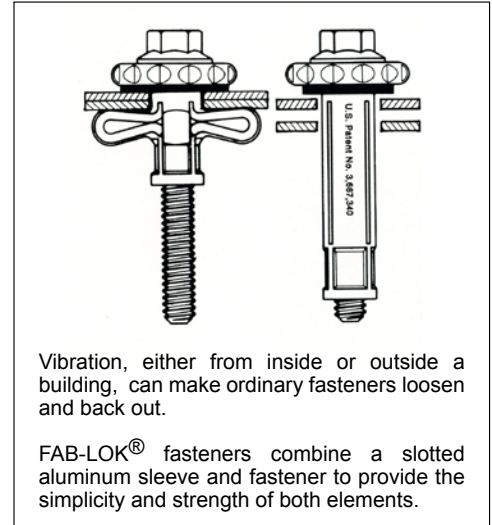


FAB-LOK® fasteners were designed to maintain panel integrity in high-stress environments such as: high wind areas, expansion and contraction, severe vibration, racking and the repair of oversized holes.

**Sizes**

Material	Size	Penetrating Length	Grip Range	Wt. / M
Carbon Steel	FAS 10-4	1.373"	.062"-.250"	23
	FAS 10-8	1.612"	.250"-.500"	24
	FAS10-12	1.807"	.500"-.750"	28
H-3 (300 series) Stainless Steel	FAC10-4	1.373"	.062"-.250"	23
	FAC 10-8	1.612"	.250"-.500"	24
	FAC 10-12	1.807"	.500"-.750"	28

WEATH-R-SEAL Washers	
Part	Description
Aluminum Bonded Weath-R-Seal Washers	.729" O.D. - .040 Aluminum
	1" O.D. - .040" Aluminum
304 Stainless Steel Bonded Weath-R-Seal Washers	.729" O.D. 20 gauge 304 S/S
	1" O.D. 20 gauge 304 S/S



Vibration, either from inside or outside a building, can make ordinary fasteners loosen and back out.

FAB-LOK® fasteners combine a slotted aluminum sleeve and fastener to provide the simplicity and strength of both elements.

**Technical Information**

Pull-out tests were performed on a Model L Dillon Dynamometer. FAB-LOK® fasteners were installed in single sheet and two sheets of metal and pulled over the tines of the FAB-LOK® to determined holding values.

**Comparison: FAB-LOK® & Sheet Metal SC**

Sheet Material	FAB-LOK® FAS-10-4	#14 Sheet Metal Screw
Strip test in .032" Aluminum	75 inch-lbs.*	65 inch-lbs.*
Strip test in 26 ga. Steel	75 inch-lbs.*	45 inch-lbs.*
Strip test in 24 ga. Steel	75 inch-lbs.*	55 inch-lbs.*

**Type Fac - Single Sheet**

Sheet Material	Sheet Thickness	Failure lbs.*	Type of Failure
Steel	24 ga.	833	Sheet Split
	20 ga.	858	Sheet Split
	18 ga.	1050	Sheet Split
	16 ga.	1293	Sheet Split
	14 ga.	1400	Fastener Broke

**Fatigue Tests**

Two thicknesses of 26 gauge metal fastened with FAB-LOK® and tested on 5000 lb. capacity machine at 1500 cycles per minute, sustained 1,775,500 cycles when failure of sheets occurred. Fastener did not fail.

FAB-LOK® fastening 1/8" aluminum plate to 3/16" steel of a railroad freight car, held without failure when the car was subjected to jarring vibration by a Hewitt-Robins Car Shaker at 900 cycles for ten minutes.

**Clamping Force**

FAB-LOK® TypeFAS
Maximum 900 lbs.
Residual 860 lbs.

**Single Shear Strength**

FAB-LOK® Type	FAC	FAS
Avg. shear	1885 lbs.	2400 lbs.

**Hydrostatic Test**

FAB-LOK® Type	H2O Pressure	Length of test	Result
FAC - 10-4	100 psi	5 days	No leaks

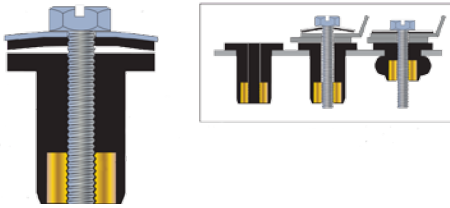
INFORMATION PROVIDED HERE IS BASED UPON TESTS BELIEVED TO BE RELIABLE. IN AS MUCH AS ELCO FASTENING SYSTEMS HAS NO CONTROL OVER THE EXACT MANNER IN WHICH OTHERS MAY USE THIS INFORMATION, IT DOES NOT GUARANTEE THE RESULTS TO BE OBTAINED NOR DOES THE COMPANY MAKE ANY EXPRESS OR IMPLIED WARRANTY OF MERCHANTABILITY, OR FITNESS FOR A PARTICULAR PURPOSE CONCERNING THE EFFECTS OR RESULTS OF SUCH USE.



Grommet Seal Fasteners are compression fasteners used in side-lap applications which utilize fiberglass, plastic or composite sheeting.

**Installation**

The grommet is installed by placing it into a pre-drilled 1/4" or 3/8" hole and tightened using a screw gun with a standard 1/4" or 5/16" socket. The machine screw engages the nut insert, forcing the sleeve to expand against the inner wall of the materials. Grommets become an excellent sealant against air, moisture and vibration.



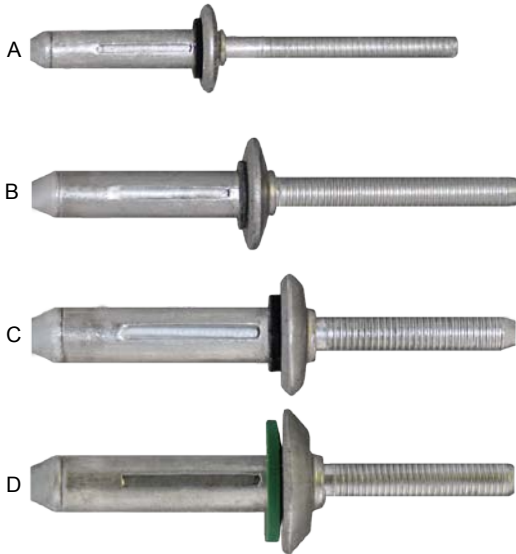
**Sizes and Specifications**

Grommet Size	1/4" x 1"	3/8" x 1"
Body Length	.948	.812
Nut Insert	6-32	10-32
Durometer (sleeve)	70	60
Ultimate Tensile	50 lbs.	80 lbs.

\*Also available in 316 stainless steel.

Machine Screw Size	6-32" x 1"	10-32" x 1"
Hex Size	1/4"	5/16"
Material	302 HQ	302 HQ
Bonded Washer	304 SS/EPDM	304 SS/EPDM
Sleeve	EPDM	EPDM
Nut Insert	Brass	Brass
Recommended		
Hole Size	.250	.375
Grip Range	.375-.607	.312-.450

**BULB-TITE®**



More than forty years ago the first Bulb-Tite® was developed to solve application requirements in the Pre-Engineered Metal Building industry. Since that time the Bulb-Tite® product line has been expanded to meet application requirements in a wide range of industries.

The Bulb-Tite® rivet body folds into three separate legs forming a large blind-side head. This large bearing head evenly distributes the Bulb-Tite® high clamp force in soft, thin or brittle materials while providing high pull through resistance. The Bulb-Tite® wide grip range enables a single Bulb-Tite® to work in a greater variation of thickness. Some versions of the Bulb-Tite® feature a special flush break mandrel that effectively seals the rivet bore and adds greater shear strength.

**Bulb-Tite® Rivets handle your attaching problems with ease.**

The standard Bulb-Tite® rivets are made of aluminum alloy, providing a durable non-rusting fastener that can withstand weather-related corrosion.

**Sizes**

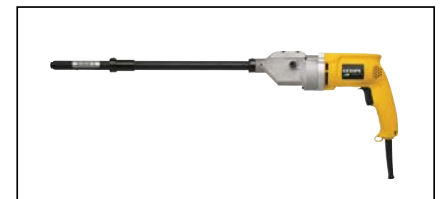
Sizes	TFC Part Number
A 3/16" x 1/4"	RV6604-6-4W
B 1/4" x 3/8"	RV6604-8-6W
C 9/32" x 3/8"	RV6603-9-6W
D 9/32" x 3/8" Flange	RV6605-9-6W

\*Available with washer



**Tools**

Tools designed to install Bulb-Tite® Rivets in metal clad building application.



**Contact TFC for availability!**